

PRG Drum Platforms

PRG's Drum Platforms is an aluminum framed platform with an optional integrated Drum Lift.

Quality Assurance

Engineered to integrate with any of PRG's staging equipment.

Product Options

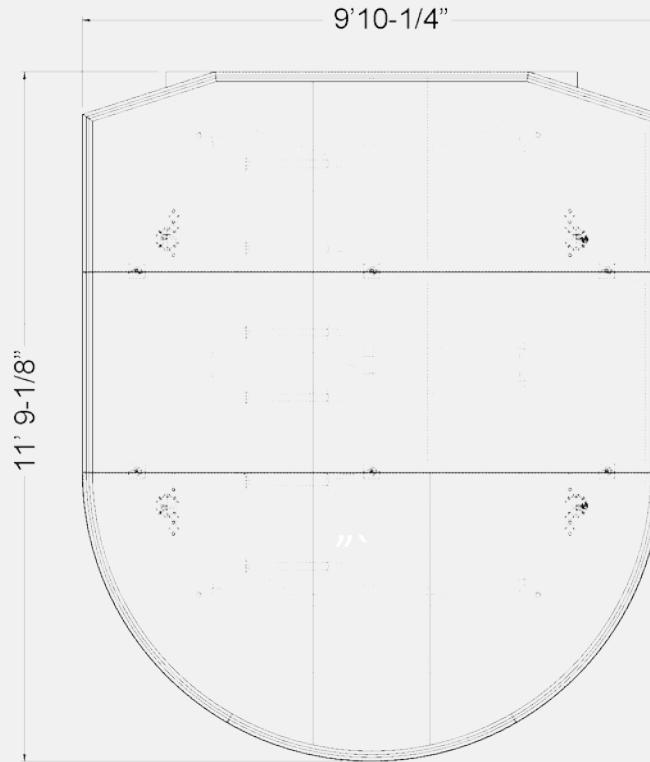
PRG's Drum Platforms are designed to handle up to 6,000 lb live loads and have an optional scissor lift.

PRG's Drum Platforms provide versatility in any staging event and are ideal for all markets including concert touring, corporate events, television and theatre.



Queen with Adam Lambert Tour 2014

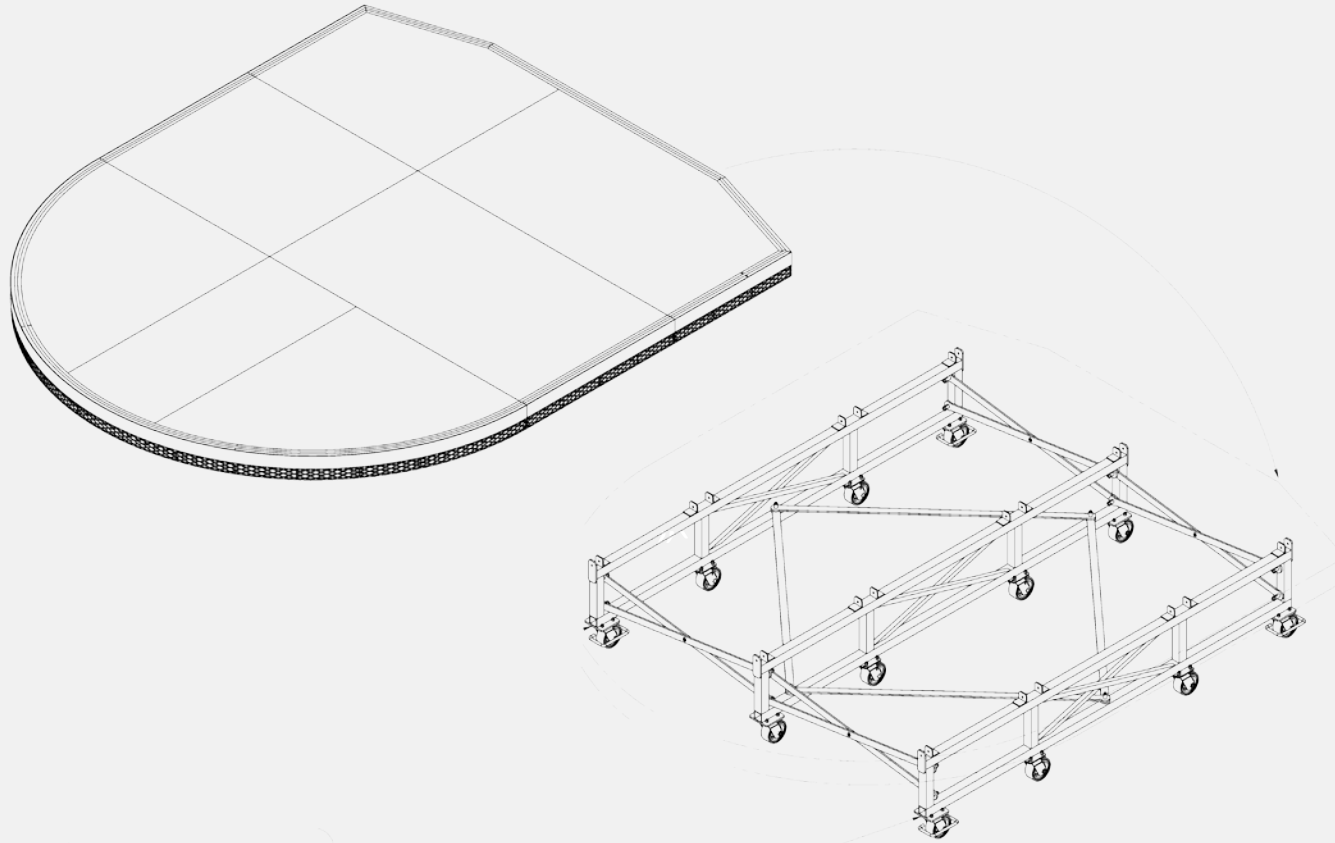
PRG Drum Platform



Static Drum Platforms

Platform	Width	Height	Max Live Load (lbs)	Ecode
Front	9'-10 ¼"	24"	6,000	2.9091D-10
Center	9'-10 ¼"	24"	6,000	2.9091D-11
Rear	9'-10 ¼"	24"	6,000	2.9091D-12

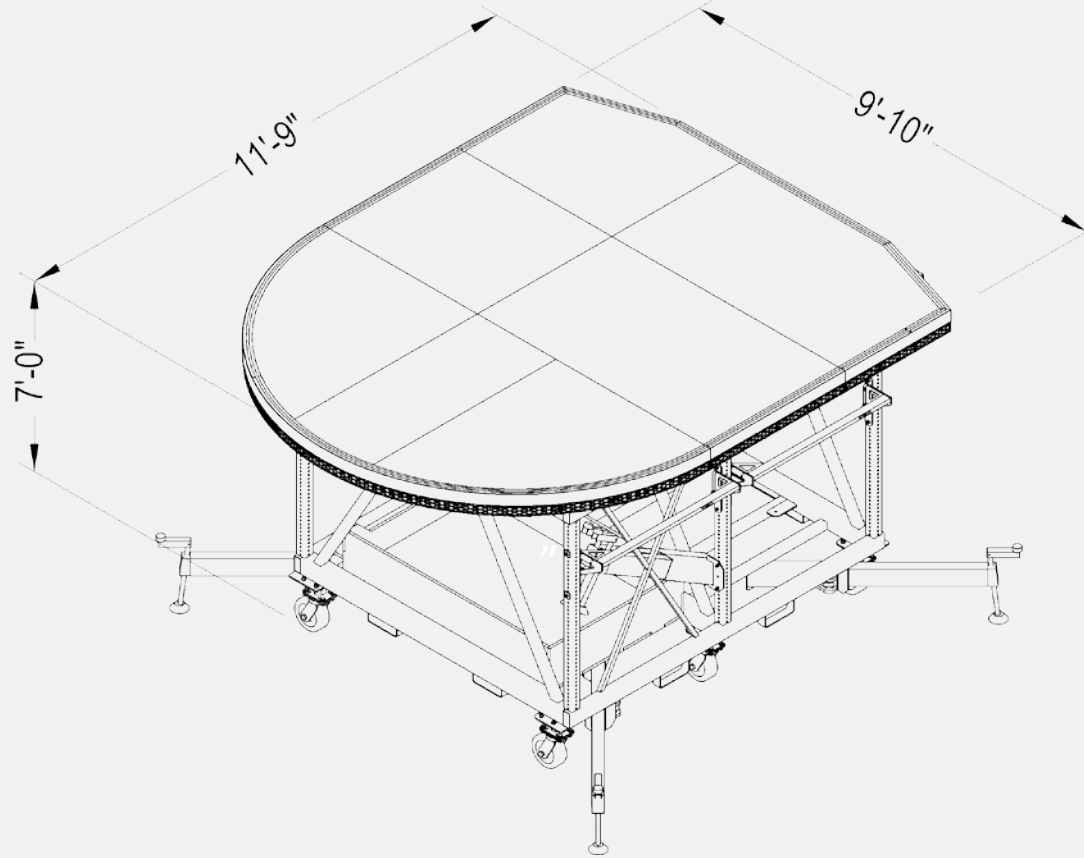
PRG Static Drum Riser



Static Drum Riser

Length	Width	Height	Max Live Load (lbs)	Ecode
9'4-3/8"	7'-9"	24"		2.9091D-20

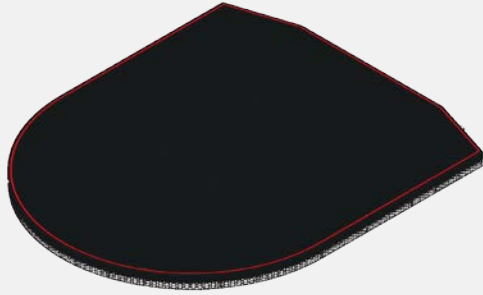
PRG Hydraulic Drum Riser



Hydraulic Drum Riser

Length	Width	Height	Vertical Travel	Max Live Load (lbs)	Ecode
11'-9"	9'-10"	7'-0"	3'-8 3/4"		2.99H60

PRG Drum Platform



PRG's Drum Platform is a custom shaped carpeted platform ideal for use on any staging equipment. Optional scissor lift with 48" of travel and 6,000 lb capacity available. PRG's Drum Platforms are ideal for all markets including concert touring, corporate events, television and theatre.

Features

Quick and Easy Assembly

- Custom Shaped Drum Platform
- Carpeted
- RGB LED tape around perimeter
- Fork pockets in frame to allow for fork up to stage
- Optional scissor lift available

©2015 PRODUCTION RESOURCE GROUP, LLC. ALL RIGHTS RESERVED.
SPECIFICATIONS ARE SUBJECT TO CHANGE
WWW.PRG.COM